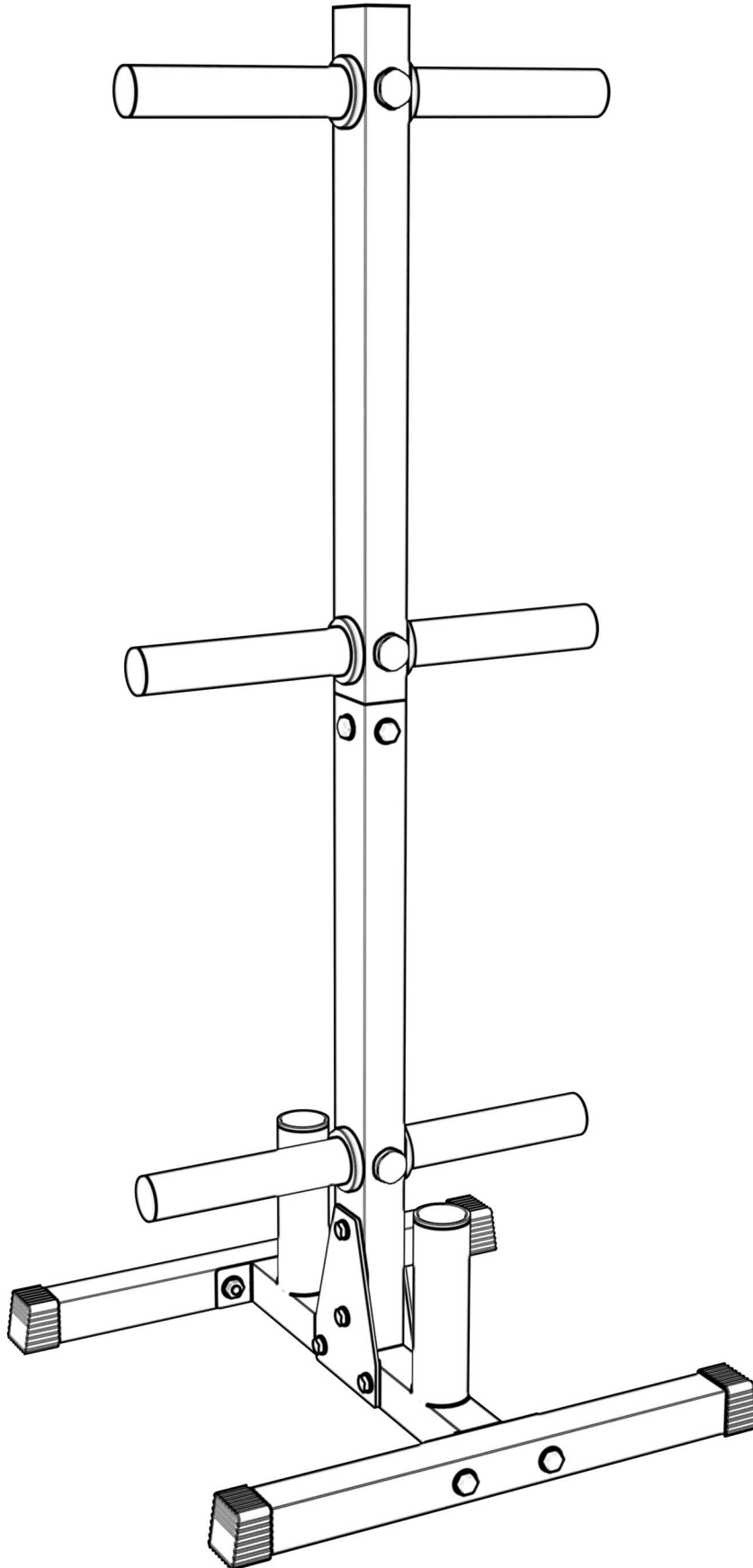


 **SYNERGEE[®]**

TREE RACK

MANUAL



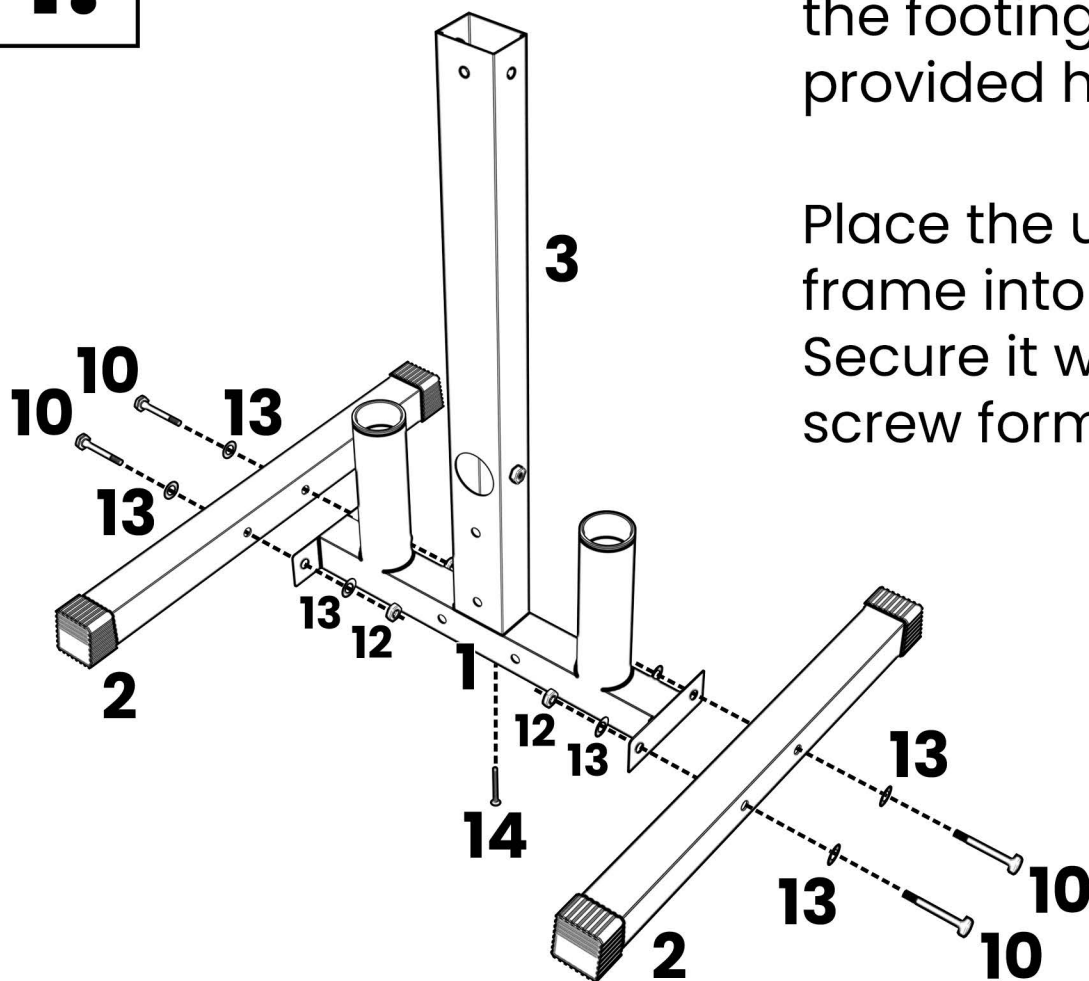
KEY	PART	QTY
1.	MAIN BASE FRAME	1
2.	MAIN BASE FOOTING	2
3.	UPWARDS BOTTOM FRAME	1
4.	UPWARDS TOP FRAME	1
5.	TRIANGLE FRAME	1
6.	PLATE LOADERS	3
7.	RUBBER PLATE PROTECTOR	6
8.	SCREW KNOBS (M8X22)	3
9.	M10X20BOLT	3
10.	M10X70 BOLT	4
11.	M10X75 BOLT	4
12.	M10 NUT	8
13.	M10 WASHER	20
14.	FLATHEAD SCREW	1

**IF ANY PIECES ARE MISSING, PLEASE CONTACT US IMMEDIATELY:
HELLO@SYNERGEEFITNESS.COM OR 1.855.217.7136**

1.

Align the main base and the footing. Secure with provided hardware.

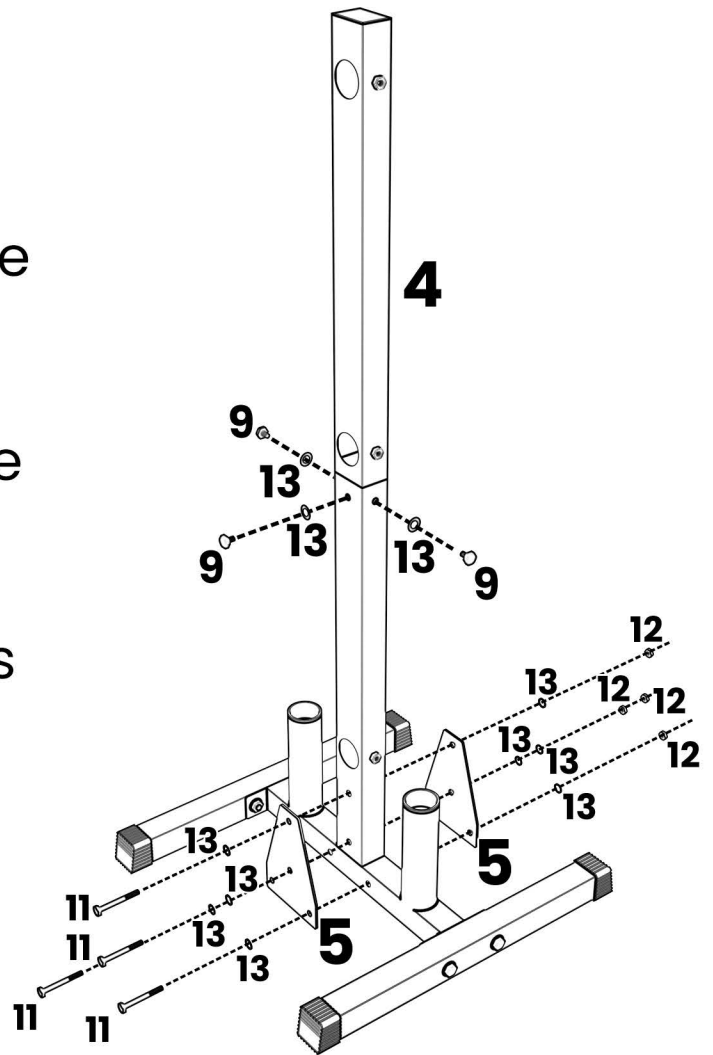
Place the upwards bottom frame into the center. Secure it with the flathead screw from the bottom.



2.

Align the triangle frame to the center of the base frame and secure as illustrated.

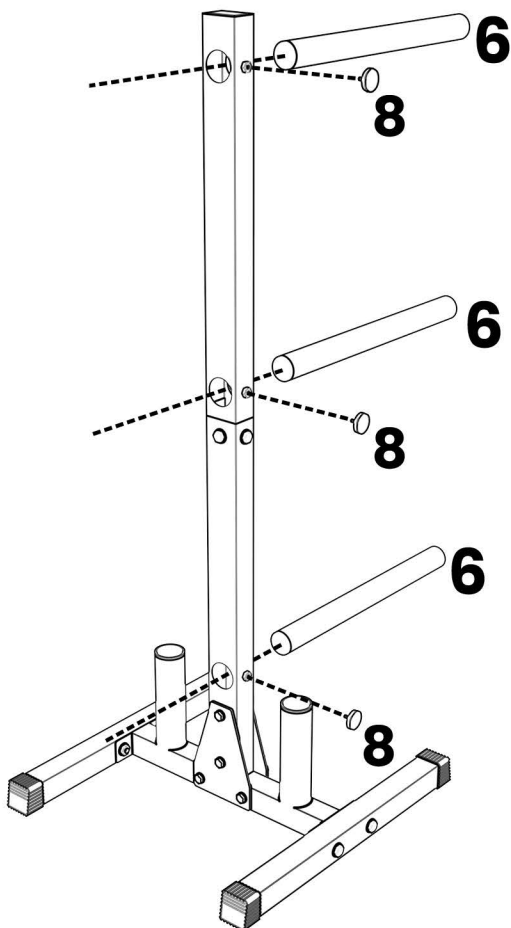
Slide the top upwards frame onto the bottom one. Once in secure with the provided hardware on the three sides as illustrated.



3.

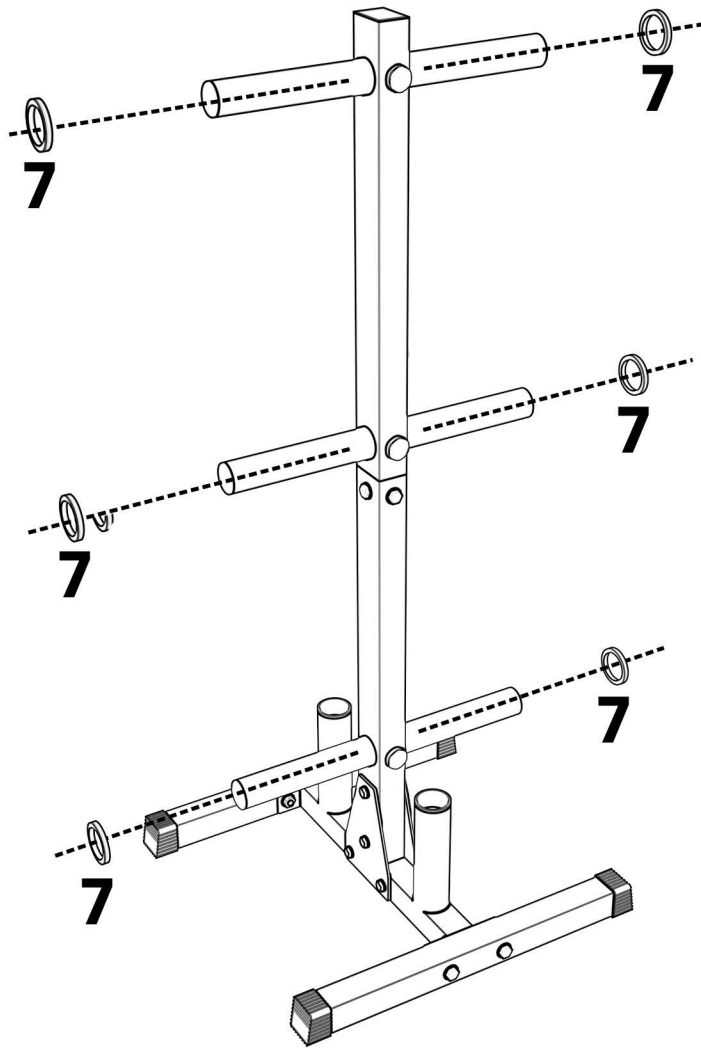
Align and center the plate loaders to the inside of the bar frame as illustrated.

Tighten the plastic screws into the frame as illustrated to secure plate loaders into place.

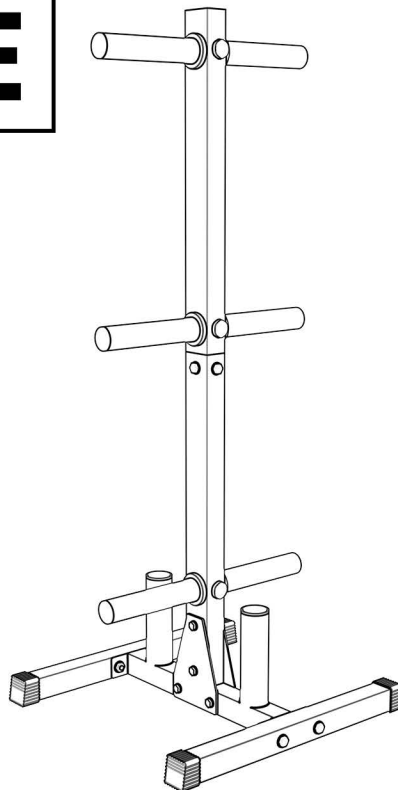


4.

Slide the rubber plate protectors onto each plate loader.



COMPLETE



**IF ANY PIECES ARE MISSING, PLEASE CONTACT US IMMEDIATELY:
HELLO@SYNERGEEFITNESS.COM OR 1.855.217.7136**