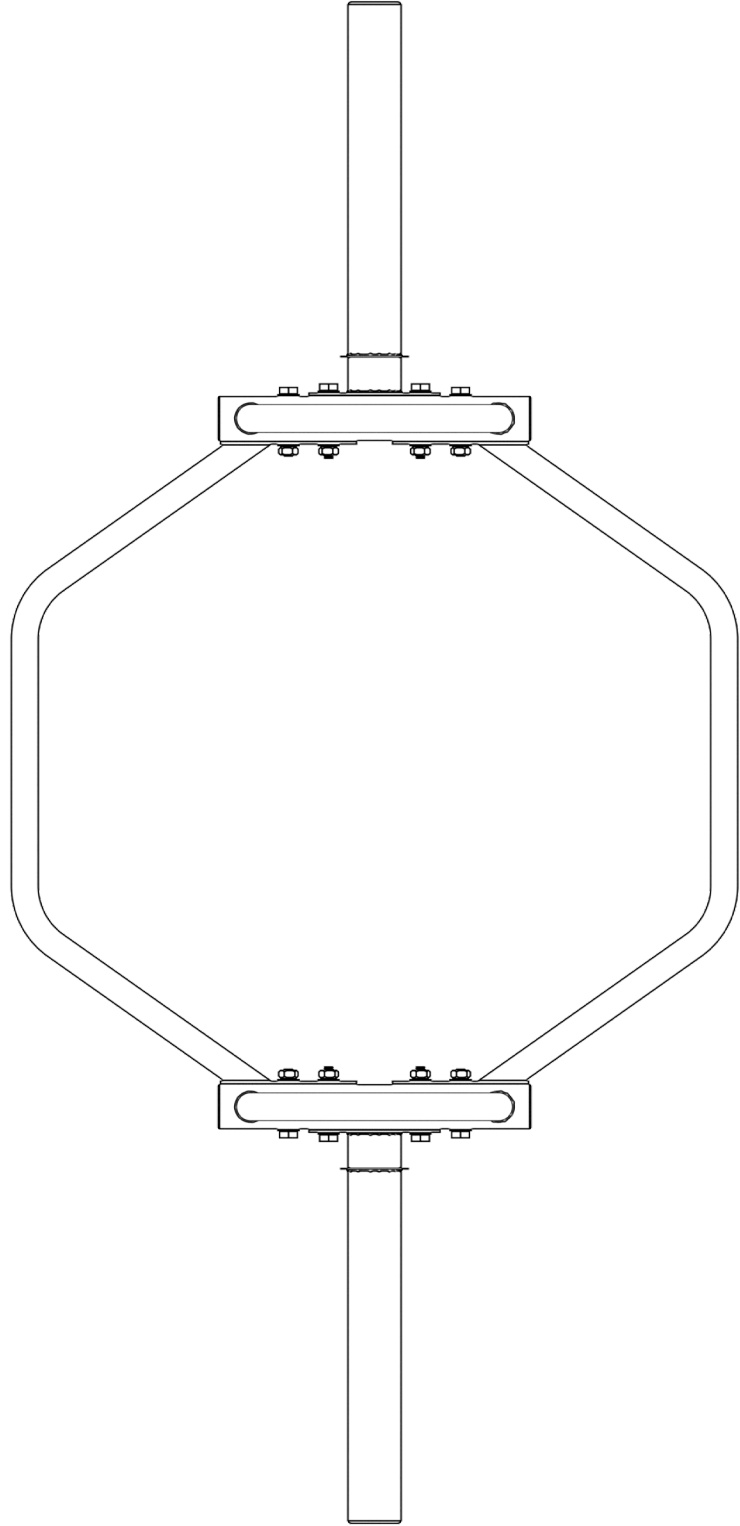


 **SYNERGEE<sup>®</sup>**

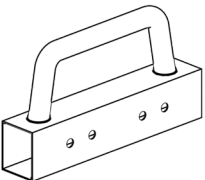
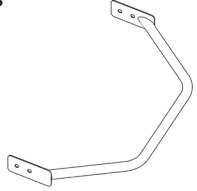
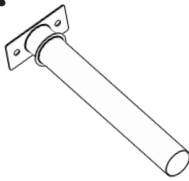
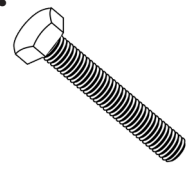
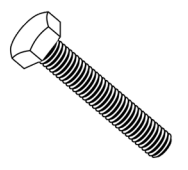
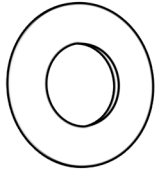
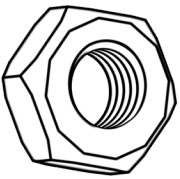
# HEX BAR

## 7KG



# PARTS LIST

IF ANY PIECES ARE MISSING, PLEASE CONTACT US IMMEDIATELY:  
HELLO@SYNERGEEFITNESS.COM OR 1.855.217.7136

<b>1.</b>  <b>HANDLE BASE</b>	<b>2.</b>  <b>HEX BAR BODY</b>	<b>3.</b>  <b>ATTACHABLE SLEEVE</b>	<b>A.</b>  <b>M10x60 FULLY THREADED BOLT</b>	<b>B.</b>  <b>M10x55 FULLY THREADED BOLT</b>
<b>C.</b>  <b>M10 WASHER</b>	<b>D.</b>  <b>M10 NUT</b>			

# ASSEMBLY

## STEP: 1

### STEP PART GUIDE

#	PART NAME	QTY
1.	HANDLE BASE	2
2.	HEX BAR BODY	2
3.	ATTACHABLE SLEEVE	2
A.	M10x60 BOLT	4
B.	M10x55 BOLT	4
C.	M10 WASHER	16
D.	M10 NUT	8

