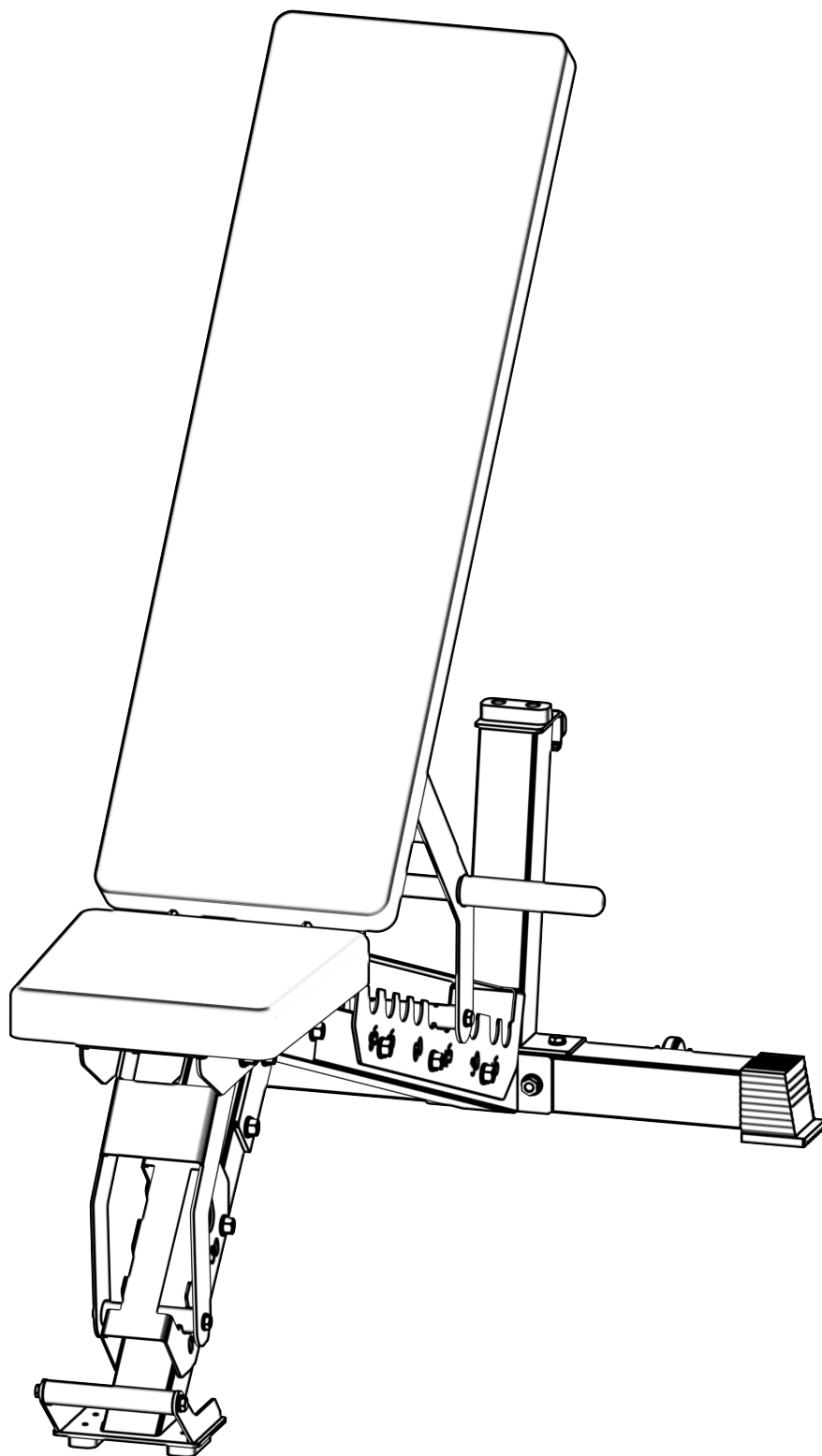


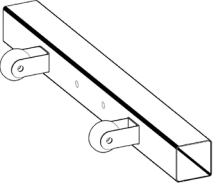
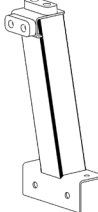
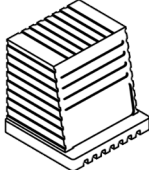
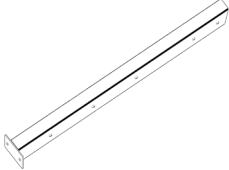
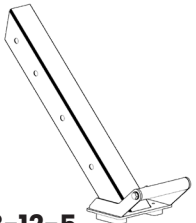
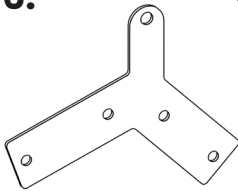
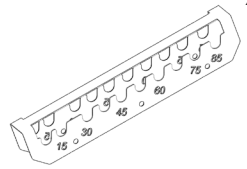
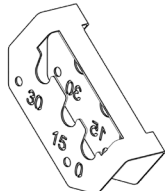
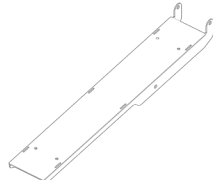
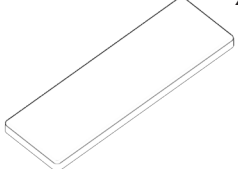
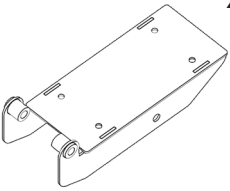
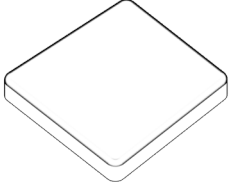
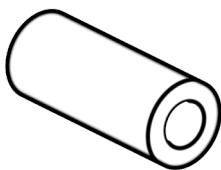
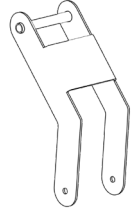
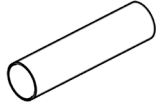
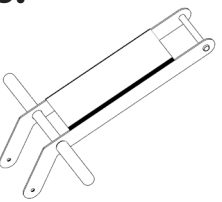
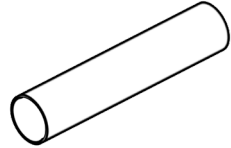

SYNERGEE[®]

AWB ADJUSTABLE BENCH



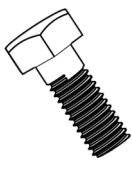

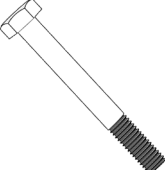

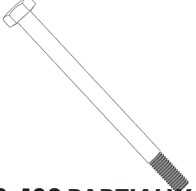
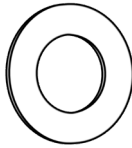
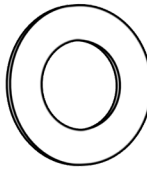
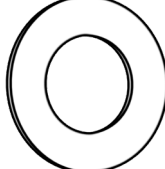
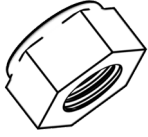

PARTS LIST

IF ANY PIECES ARE MISSING, PLEASE CONTACT US IMMEDIATELY:
HELLO@SYNERGEEFITNESS.COM OR 1.855.217.7136

<p>1. QTY x1</p>  <p>123-12-1</p>	<p>2. QTY x1</p>  <p>123-12-2</p>	<p>3. QTY x2</p>  <p>123-12-3</p>	<p>4. QTY x1</p>  <p>123-12-4</p>	<p>5. QTY x1</p>  <p>123-12-5</p>
<p>6. QTY x2</p>  <p>123-12-6</p>	<p>7. QTY x1</p>  <p>123-12-7</p>	<p>8. QTY x1</p>  <p>123-12-8</p>	<p>9. QTY x1</p>  <p>123-12-9</p>	<p>10. QTY x1</p>  <p>123-12-10</p>
<p>11. QTY x1</p>  <p>123-12-11</p>	<p>12. QTY x1</p>  <p>123-12-12</p>	<p>13. QTY x1</p>  <p>123-12-13</p>	<p>14. QTY x1</p>  <p>142-12-14</p>	<p>15. QTY x1</p>  <p>123-12-15</p>
<p>16. QTY x1</p>  <p>123-12-16</p>	<p>17. QTY x1</p>  <p>123-12-17</p>			

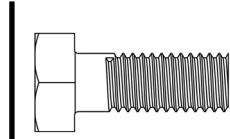
PARTS LIST

IF ANY PIECES ARE MISSING, PLEASE CONTACT US IMMEDIATELY:
HELLO@SYNERGEEFITNESS.COM OR 1.855.217.7136

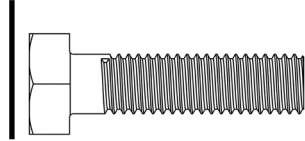
<p>A.  QTY x8</p> <p>M8x20 FULLY THREADED BOLT</p>	<p>B.  QTY x6</p> <p>M8x30 FULLY THREADED BOLT</p>	<p>C.  QTY x11</p> <p>M10x80 PARTIALLY THREADED BOLT</p>	<p>D.  QTY x1</p> <p>M12x140 PARTIALLY THREADED BOLT</p>	<p>E.  QTY x2</p> <p>M12x160 PARTIALLY THREADED BOLT</p>
<p>F.  QTY x14</p> <p>M8 WASHER</p>	<p>G.  QTY x22</p> <p>M10 WASHER</p>	<p>H.  QTY x6</p> <p>M12 WASHER</p>	<p>I.  QTY x11</p> <p>M10 NUT</p>	<p>J.  QTY x3</p> <p>M12 NUT</p>

HARDWARE SIZING CHART

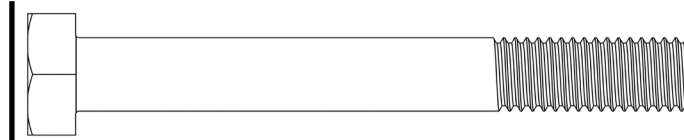
**M8x20
BOLT**



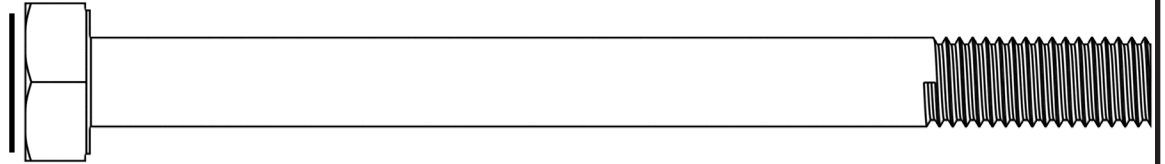
**M8x30
BOLT**



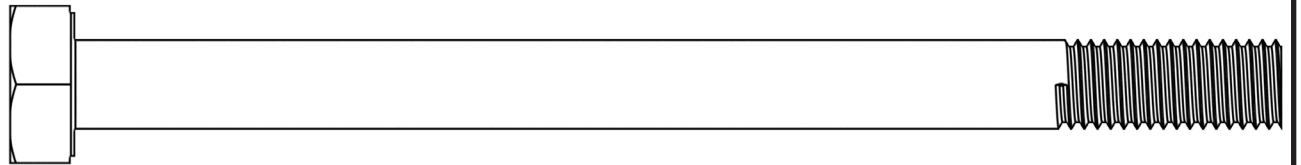
**M10x80
BOLT**



**M12x140
BOLT**



**M12
x160
BOLT**

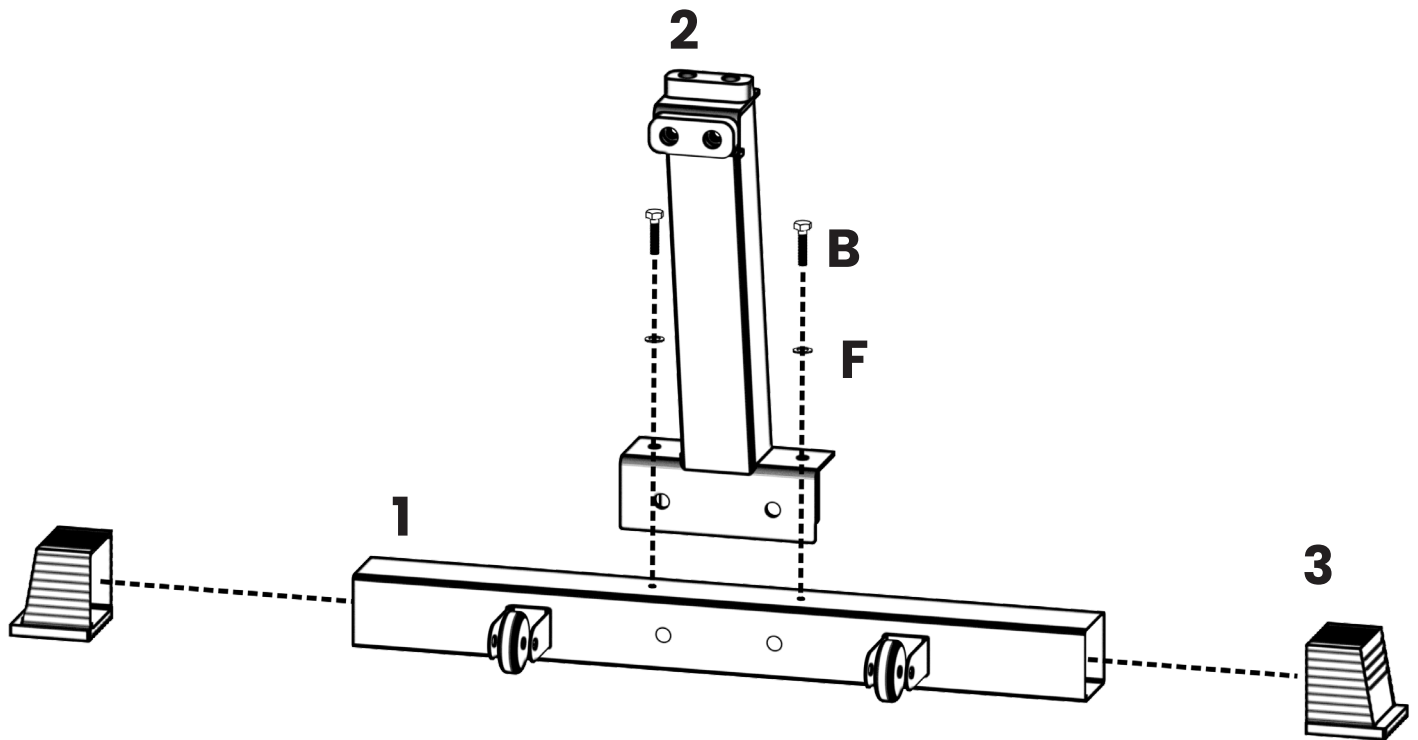


ASSEMBLY

STEP: 1

STEP PART GUIDE

#	PART NAME	QTY
1.	123-12-1	1
2.	123-12-2	2
3.	123-12-3	2
B.	M8x30 FULLY THREADED BOLT	2
F.	M8 WASHER	2

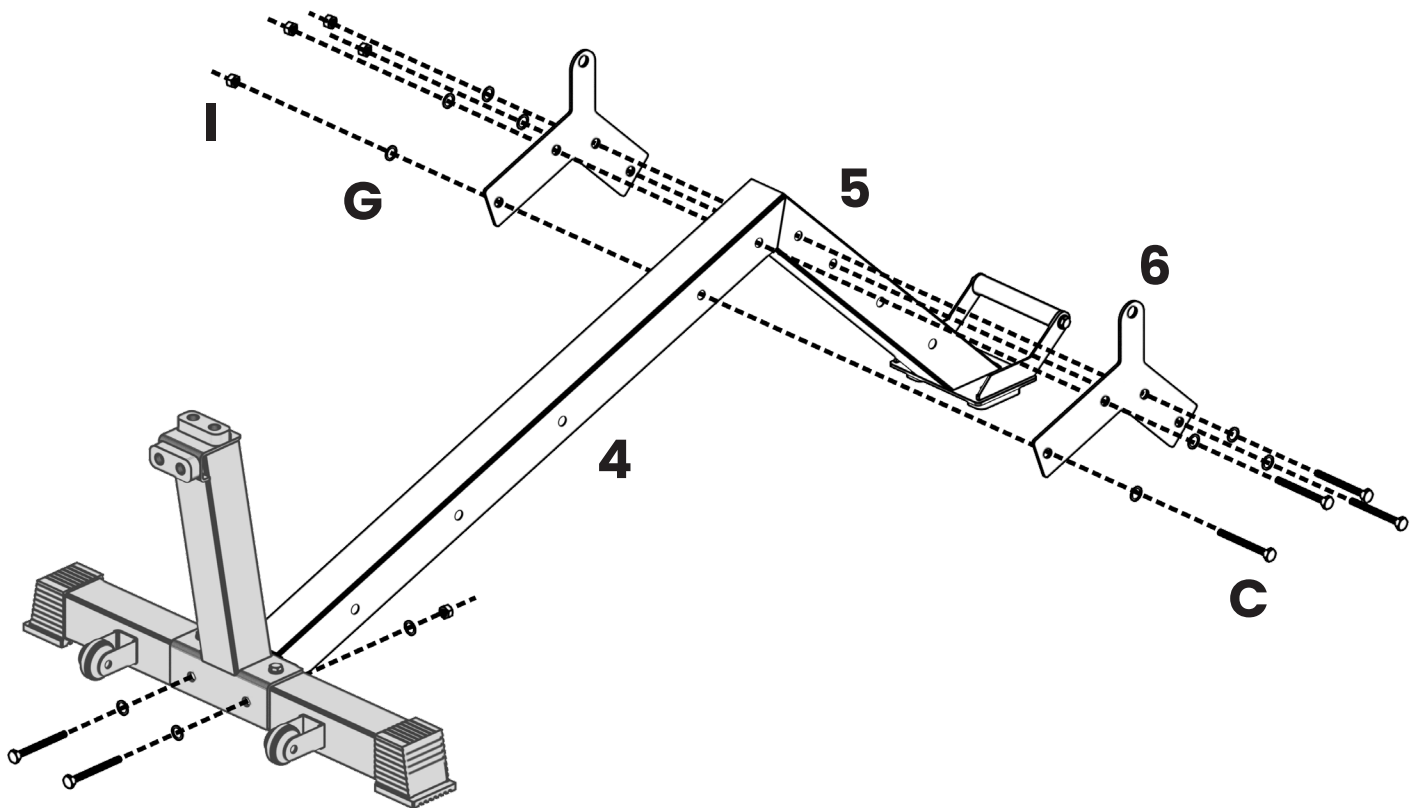


ASSEMBLY

STEP: 2

STEP PART GUIDE

#	PART NAME	QTY
4.	123-12-4	1
5.	123-12-5	1
6.	123-12-6	2
C.	M10x80 FULLY THREADED BOLT	6
G.	M10 WASHER	12
I.	M10 NUT	6

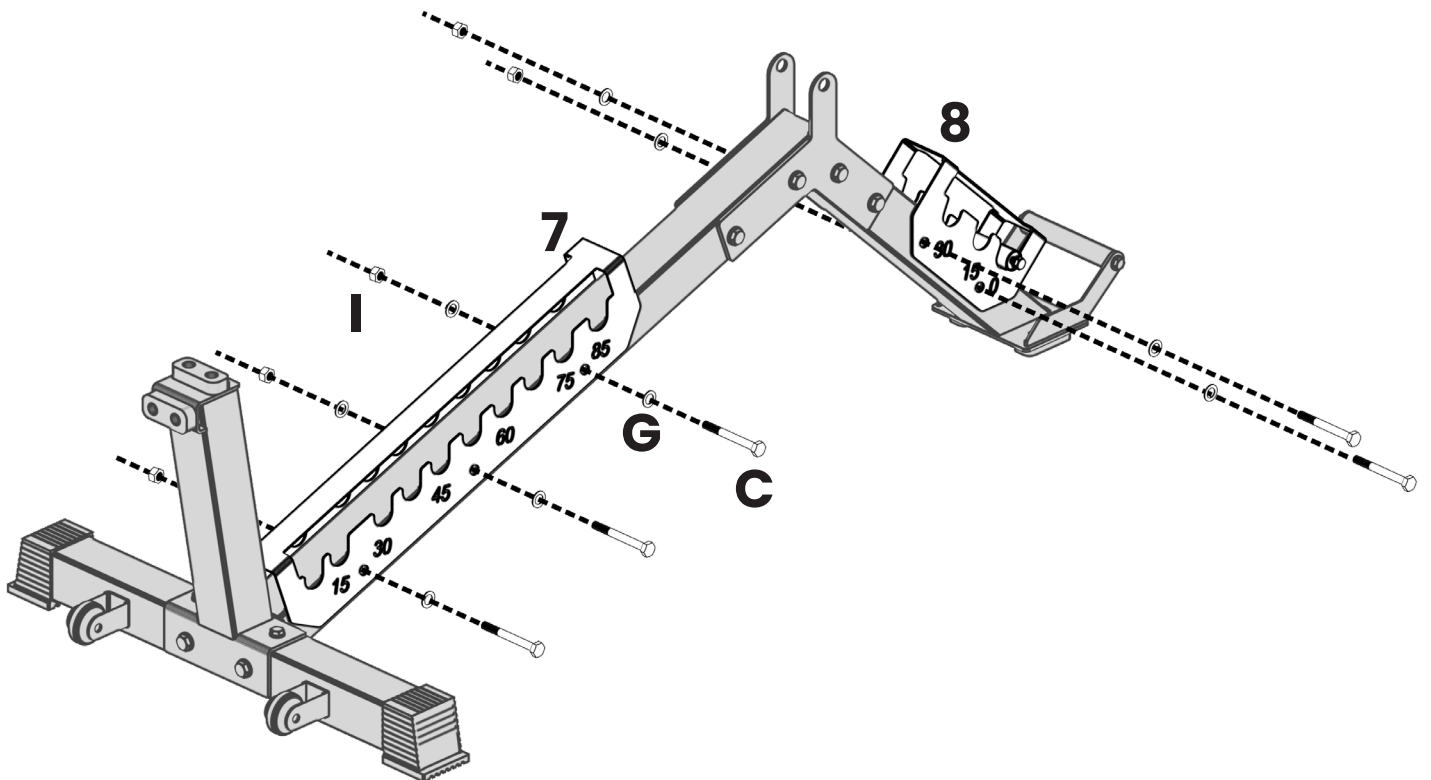


ASSEMBLY

STEP: 3

STEP PART GUIDE

#	PART NAME	QTY
7.	123-12-7	1
8.	123-12-8	1
C.	M10x80 PARTIALLY THREADED BOLTS	5
G.	M10 WASHERS	10
I.	M10 NUTS	5

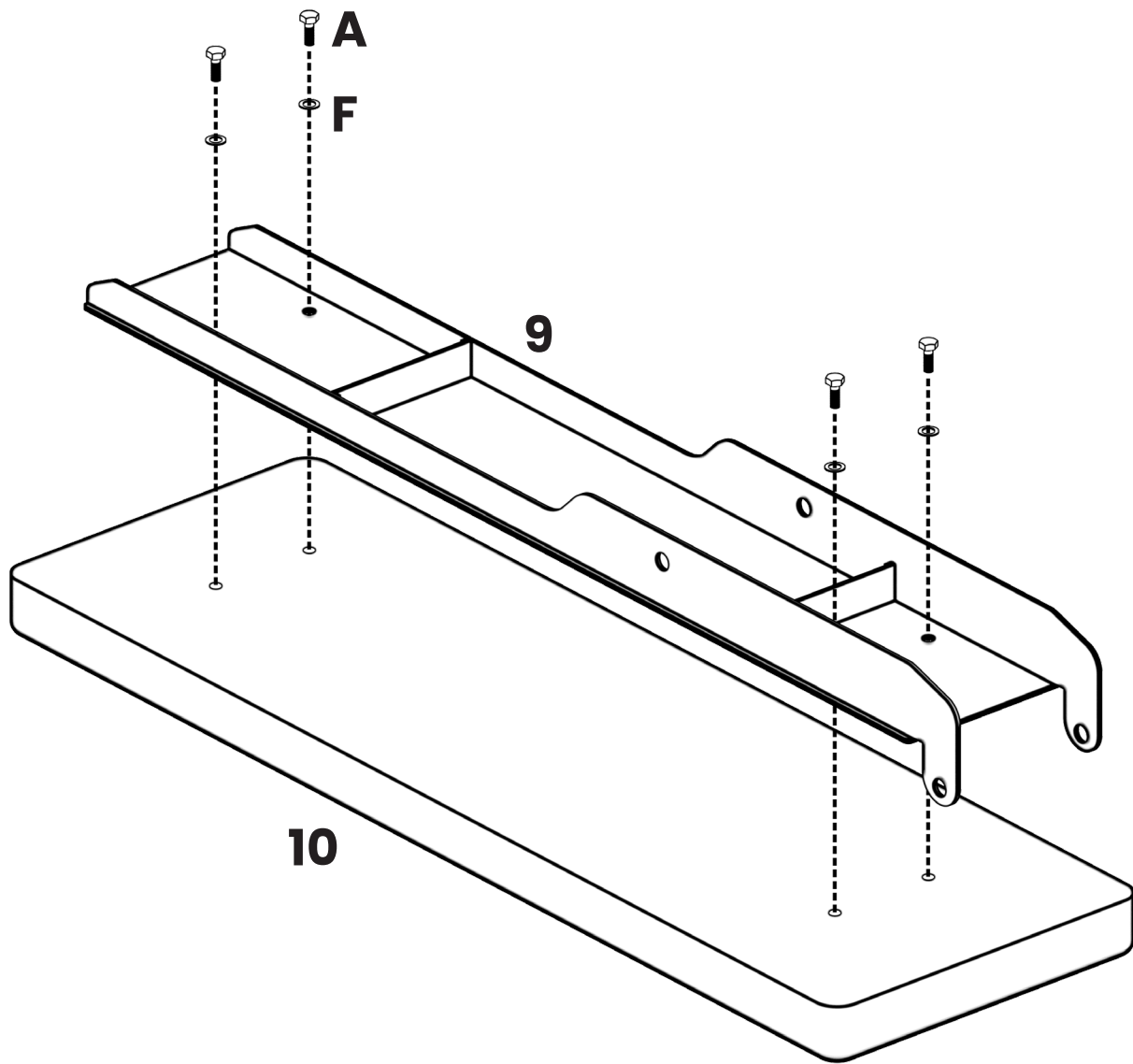


ASSEMBLY

STEP: 4

STEP PART GUIDE

#	PART NAME	QTY
9.	123-12-9	1
10.	123-12-10	1
A.	M8x20 FULLY THREADED BOLT	4
F.	M8 WASHER	4

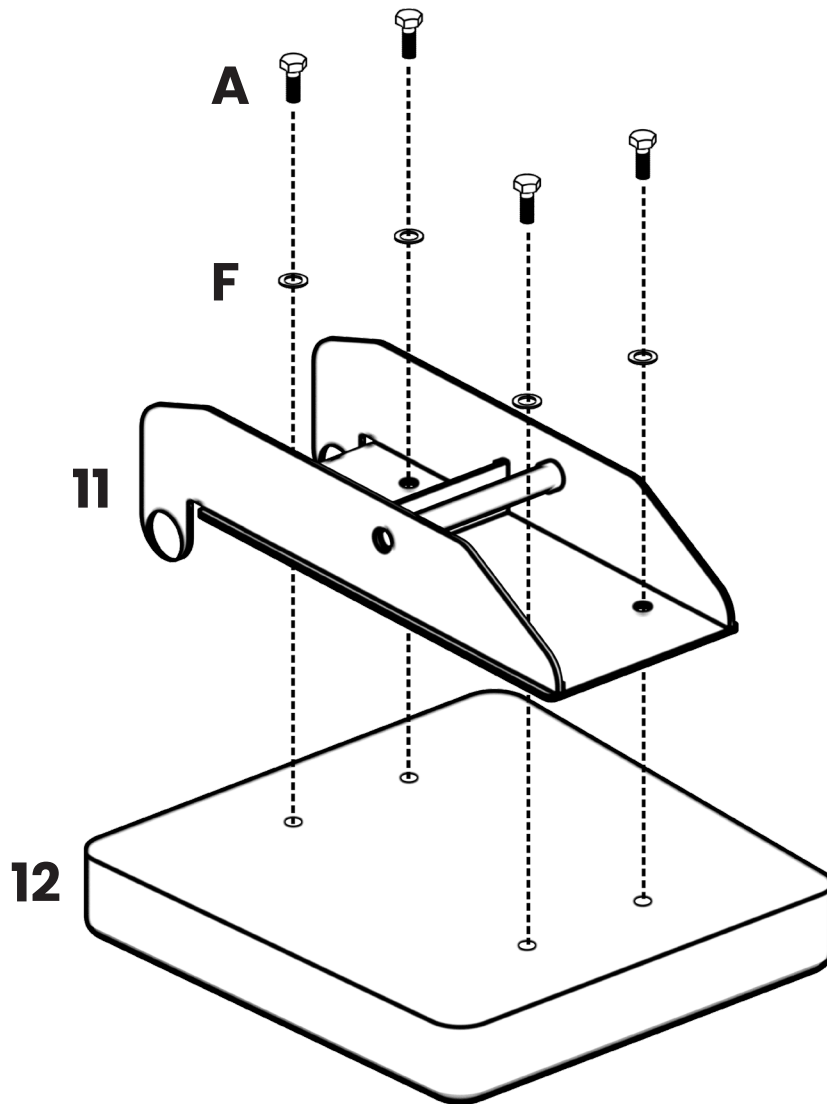


ASSEMBLY

STEP: 5

STEP PART GUIDE

#	PART NAME	QTY
11.	123-12-11	1
12.	123-12-12	1
A.	M8x20 FULLY THREADED BOLT	4
F.	M8 WASHER	4

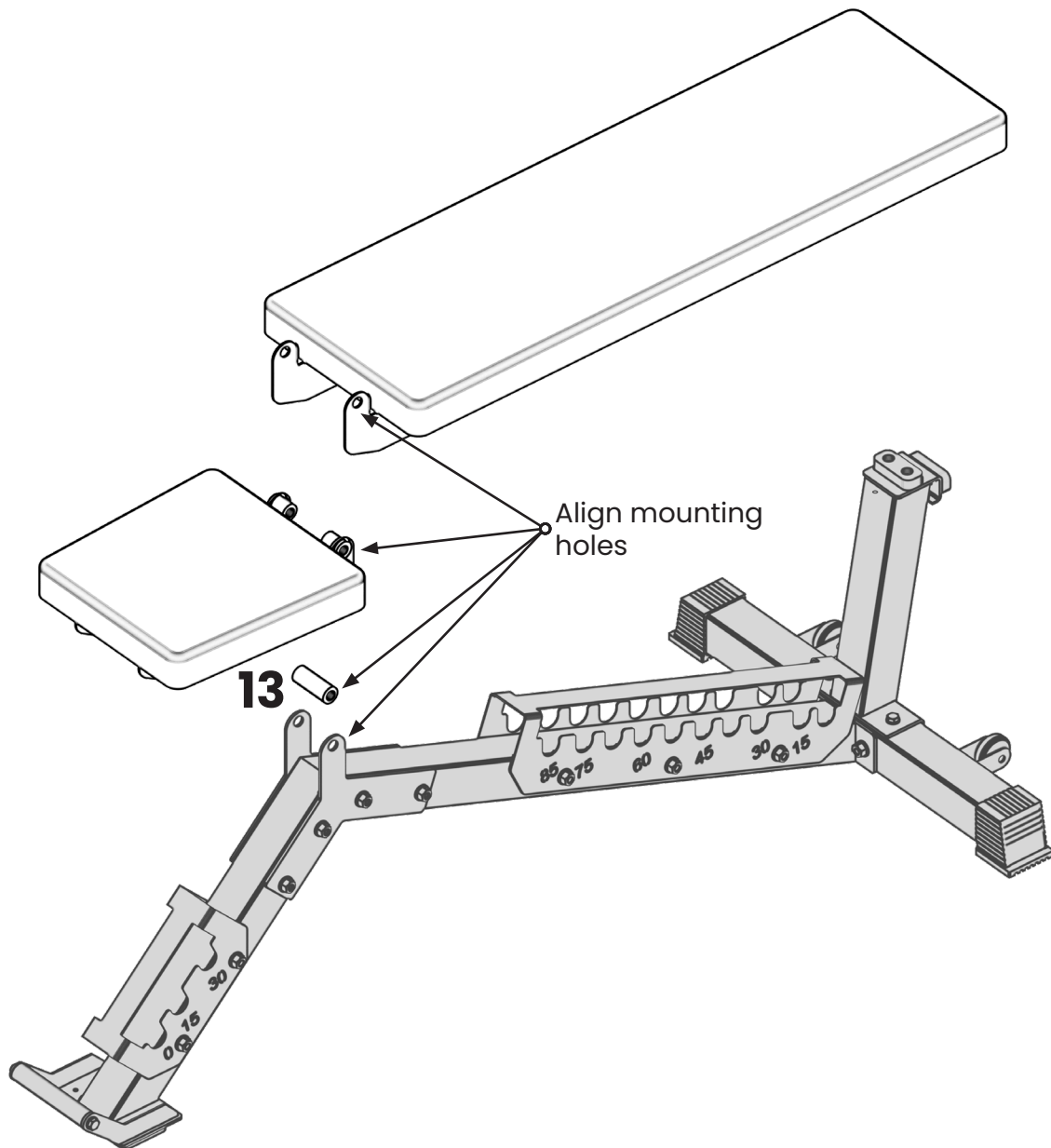


ASSEMBLY

STEP: 6-A

STEP PART GUIDE

#	PART NAME	QTY
-	ASSEMBLY FROM STEP 4	-
-	ASSEMBLY FROM STEP 5	-
13.	123-12-14	1

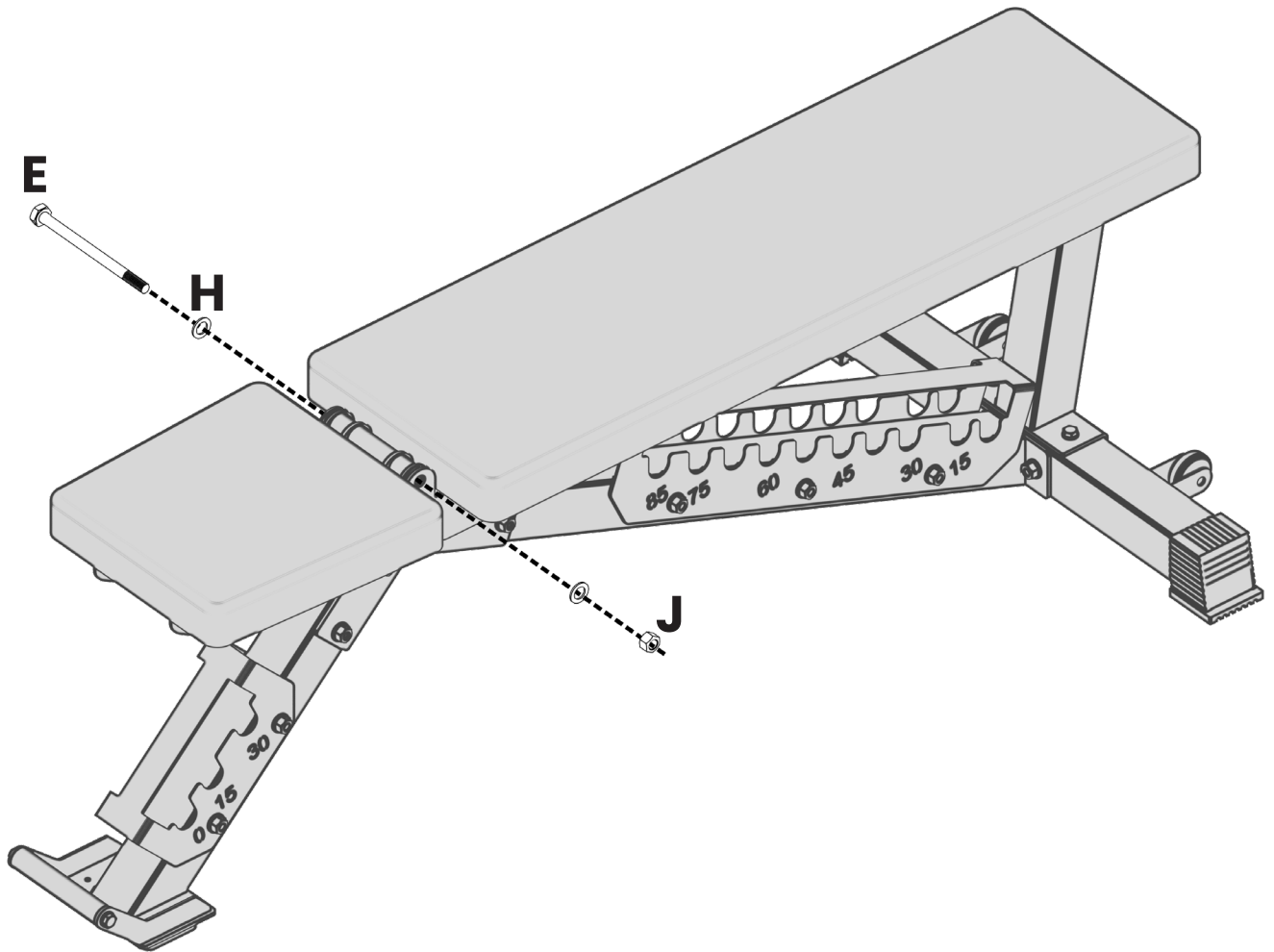


ASSEMBLY

STEP: 6-B

STEP PART GUIDE

#	PART NAME	QTY
E.	M12x160 FULLY THREADED BOLT	1
H.	M12 WASHER	2
J.	M12 NUT	1

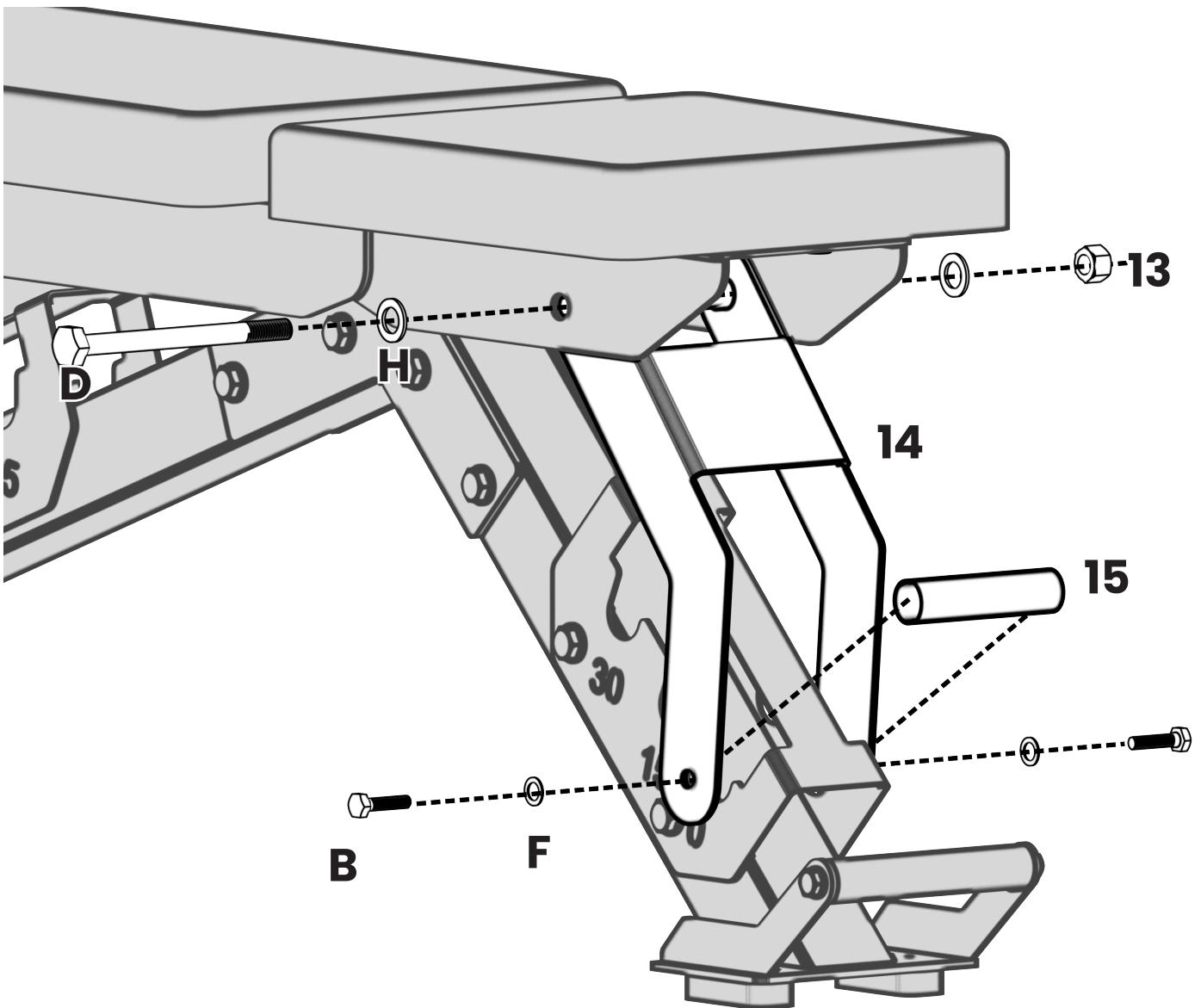


ASSEMBLY

STEP: 7-A

STEP PART GUIDE

#	PART NAME	QTY
14.	123-12-14	1
15.	123-12-15	3
B.	M8X30 FULLY THREADED BOLT	2
D.	M12X140 PARTIALLY THREADED BOLT	1
F.	M8 WASHER	1
H.	M12 WASHER	1
J.	M12 NUT	1



ASSEMBLY

STEP: 7-B

STEP PART GUIDE

#	PART NAME	QTY
16.	123-12-16	1
17.	123-12-17	3
B.	M8X30 FULLY THREADED BOLT	2
E.	M12X160 PARTIALLY THREADED BOLT	1
F.	M8 WASHER	1
H.	M12 WASHER	1
J.	M12 NUT	1

