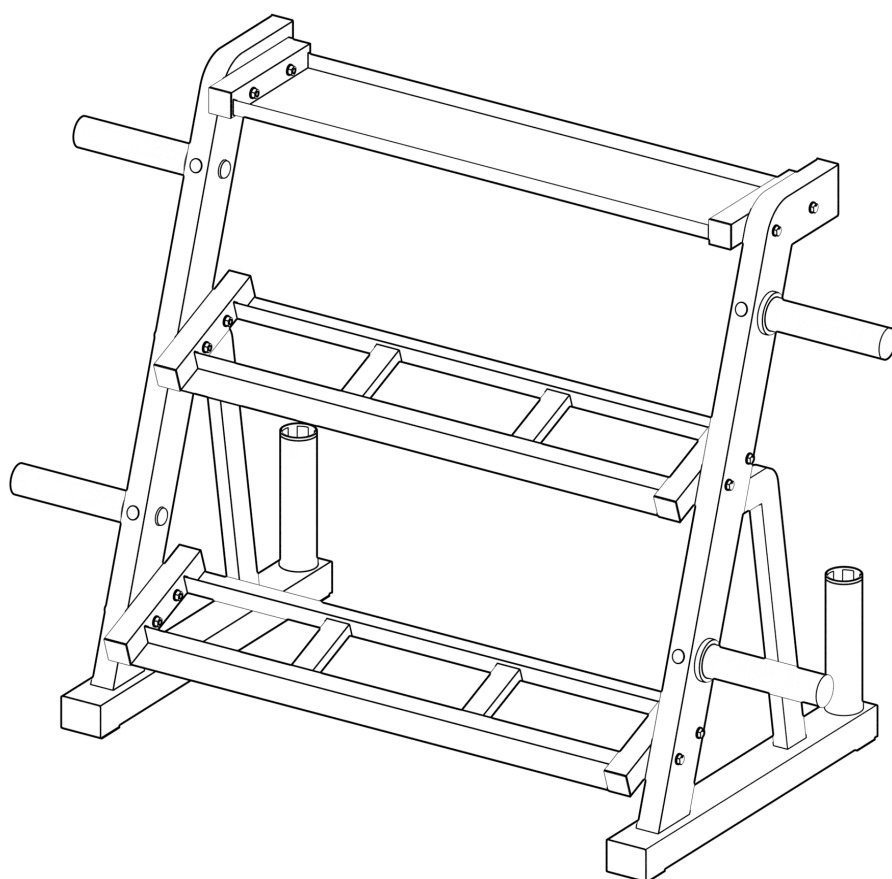



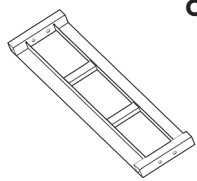
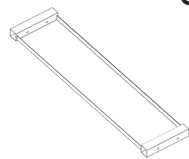
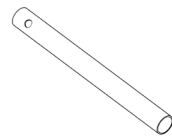


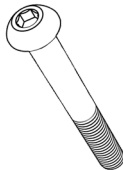
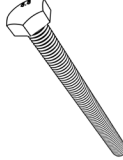
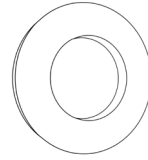
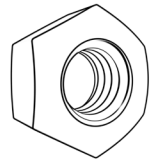
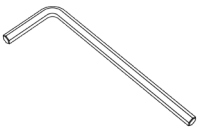
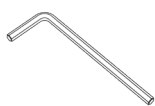

**SYNERGEE[®]**

DUMBBELL & KETTLEBELL RACK



PARTS LIST

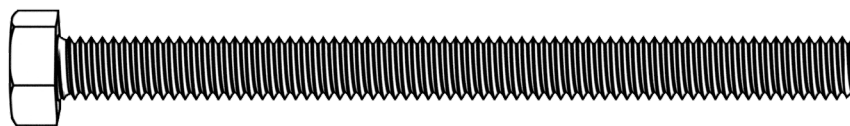
IF ANY PIECES ARE MISSING, PLEASE CONTACT US IMMEDIATELY:
HELLO@SYNERGEEFITNESS.COM OR 1.855.217.7136

<p>1.</p>  <p>QTY x2</p> <p>SIDE FRAME</p>	<p>2.</p>  <p>QTY x2</p> <p>DUMBBELL SHELF</p>	<p>3.</p>  <p>QTY x1</p> <p>KETTLEBELL SHELF</p>	<p>4.</p>  <p>QTY x4</p> <p>1" PLATE HOLDER BAR</p>	<p>5.</p>  <p>QTY x4</p> <p>2" WEIGHT PLATE SLEEVE</p>
<p>6.</p>  <p>QTY x4</p> <p>SOFT PLASTIC PLUG</p>	<p>7.</p>  <p>QTY x4</p> <p>M8x65 STEEL SCREW</p>	<p>8.</p>  <p>QTY x12</p> <p>M8x90 STEEL HEX HEAD BOLT</p>	<p>9.</p>  <p>QTY x28</p> <p>M8 WASHER</p>	<p>10.</p>  <p>QTY x16</p> <p>M8 NUT</p>
<p>11.</p>  <p>QTY x1</p> <p>ALLEN KEY SIZE 6</p>	<p>12.</p>  <p>QTY x1</p> <p>ALLEN KEY SIZE 4</p>	<p>13.</p>  <p>QTY x2</p> <p>14MM WRENCH</p>		



HARDWARE SIZING CHART

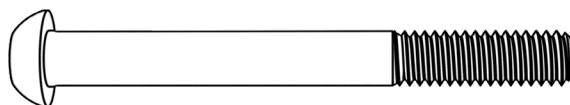
**M8x90 STEEL
HEX BOLT**



STEPS

2

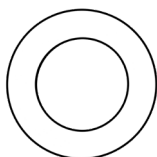
**M8x65
STEEL SCREW**



STEPS

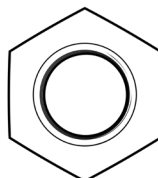
1

WASHERS



M8 WASHERS

NUTS



M8 NUT



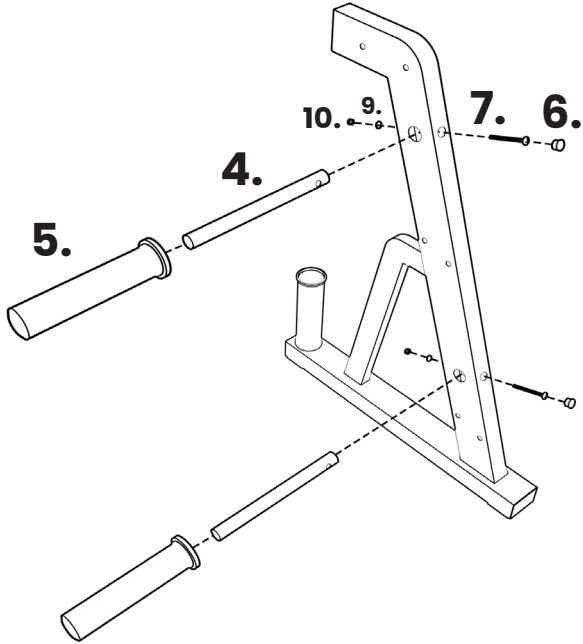
ASSEMBLY

STEP: 1

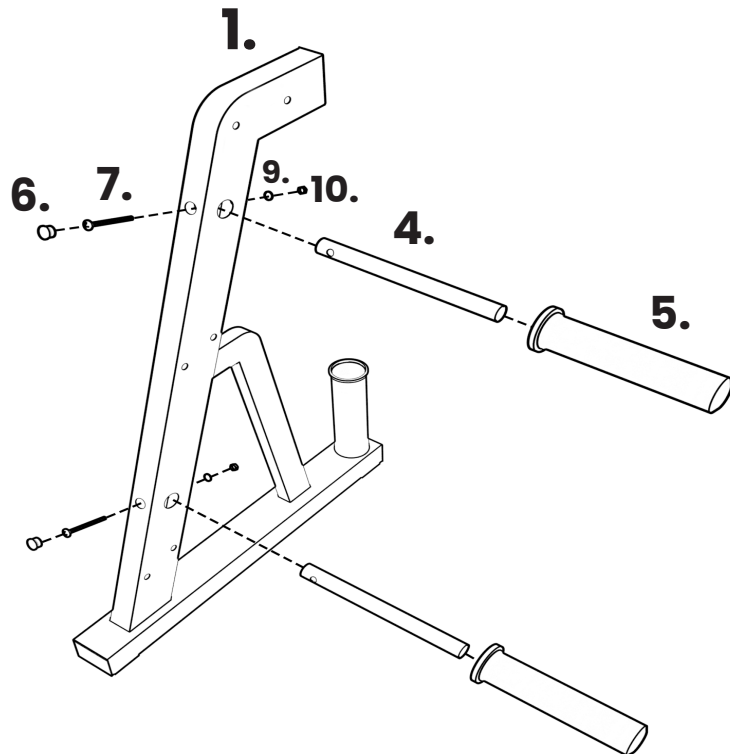
STEP PART GUIDE

#	PART NAME	QTY
1.	Side Frame	2
4.	1" Plate Holder Bar	4
5.	2" Weight Plate Sleeve	4
6.	Soft Plastic Plug	4
7.	M8x65 Steel Screw	4
9.	M8 Washer	4
10.	M8 Nut	4

LEFT SIDE:



RIGHT SIDE:



ASSEMBLY

STEP: 2

STEP PART GUIDE

#	PART NAME	QTY
2.	Dumbbell Shelf	2
3.	Kettlebell Shelf	1
8.	M8x90 Hex Head Bolt	12
9.	M8 Washer	24
10.	M8 Nut	12

