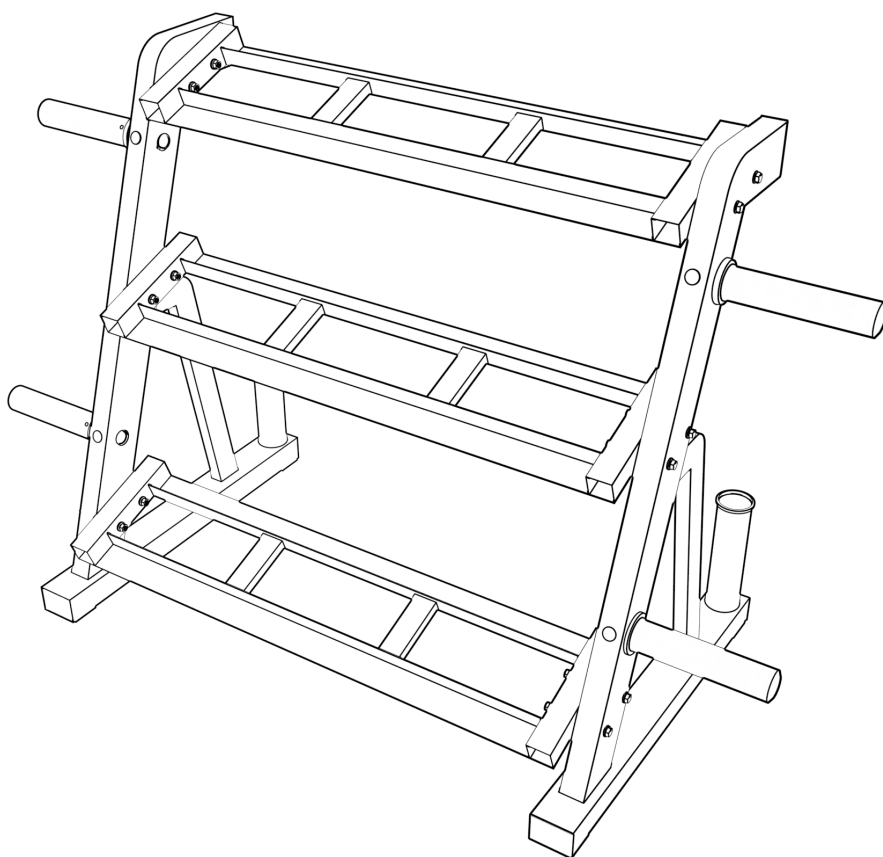



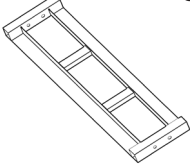
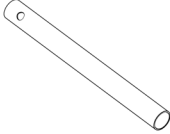
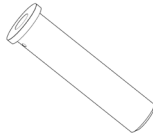

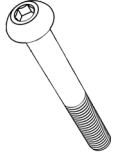
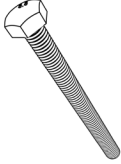
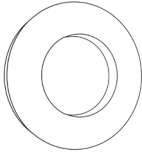
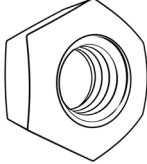

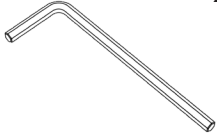

**SYNERGEE**[®]

DUMBBELL RACK



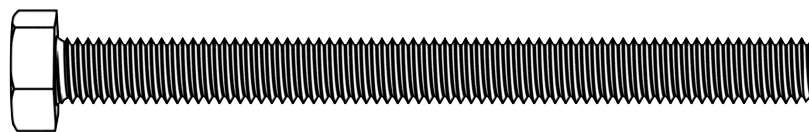
PARTS LIST

IF ANY PIECES ARE MISSING, PLEASE CONTACT US IMMEDIATELY:
HELLO@SYNERGEEFITNESS.COM OR 1.855.217.7136

<p>1.  QTY x2</p> <p>SIDE FRAME</p>	<p>2.  QTY x3</p> <p>DUMBBELL SHELF</p>	<p>3.  QTY x4</p> <p>1" PLATE HOLDER BAR</p>	<p>4.  QTY x4</p> <p>2" WEIGHT PLATE SLEEVE</p>	<p>5.  QTY x4</p> <p>SOFT PLASTIC PLUG</p>
<p>6.  QTY x4</p> <p>M8x65 STEEL SCREW</p>	<p>7.  QTY x12</p> <p>M8x90 STEEL HEX HEAD BOLT</p>	<p>8.  QTY x28</p> <p>M8 WASHER</p>	<p>9.  QTY x16</p> <p>M8 NUT</p>	<p>10.  QTY x2</p> <p>14MM WRENCH</p>
<p>11.  QTY x1</p> <p>ALLEN KEY SIZE 6</p>	<p>12.  QTY x1</p> <p>ALLEN KEY SIZE 4</p>			

HARDWARE SIZING CHART

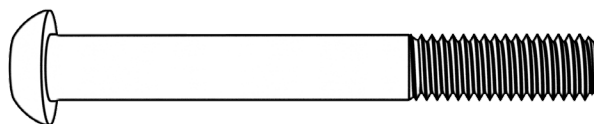
M8x90 STEEL
HEX BOLT



STEPS

2

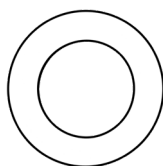
M8x65
STEEL SCREW



STEPS

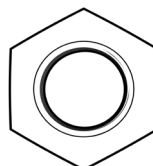
1

WASHERS



M8 WASHERS

NUTS



M8 NUT

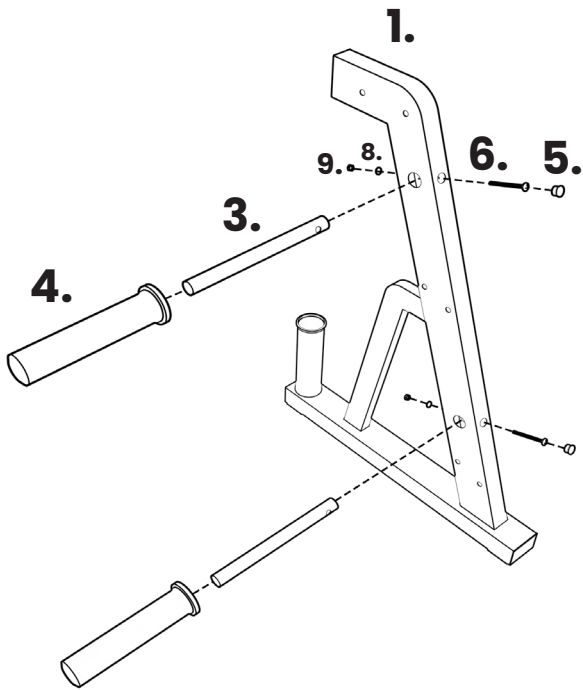
ASSEMBLY

STEP: 1

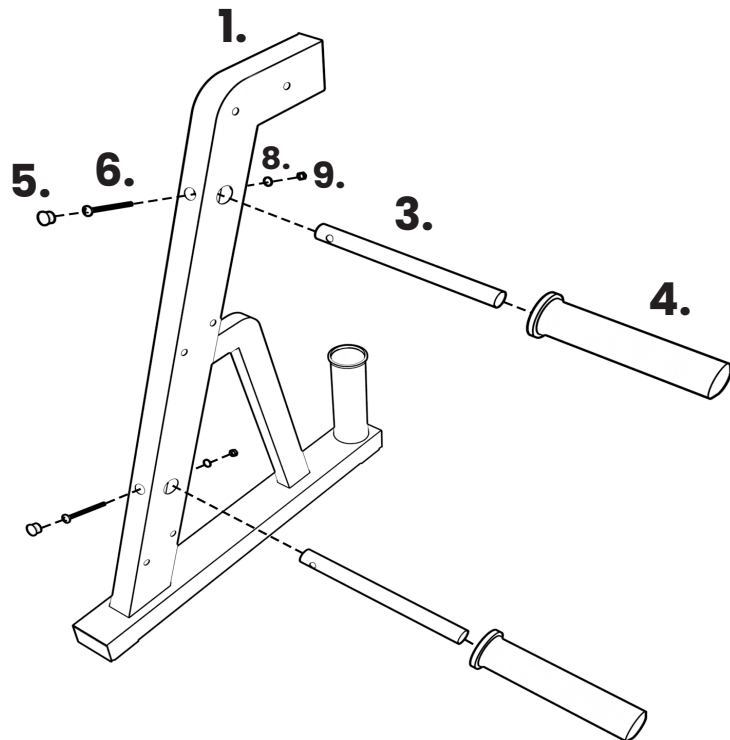
STEP PART GUIDE

#	PART NAME	QTY
1.	Side Frame	2
3.	1" Plate Holder Bar	4
4.	2" Weight Plate Sleeve	4
5.	Soft Plastic Plug	4
6.	M8x65 Steel Screw	4
8.	M8 Washer	4
9.	M8 Nut	4

LEFT SIDE:



RIGHT SIDE:



ASSEMBLY

STEP: 2

STEP PART GUIDE

#	PART NAME	QTY
2.	Dumbbell Shelf	3
7.	M8x90 Hex Head Bolt	12
8.	M8 Washer	24
9.	M8 Nut	12

