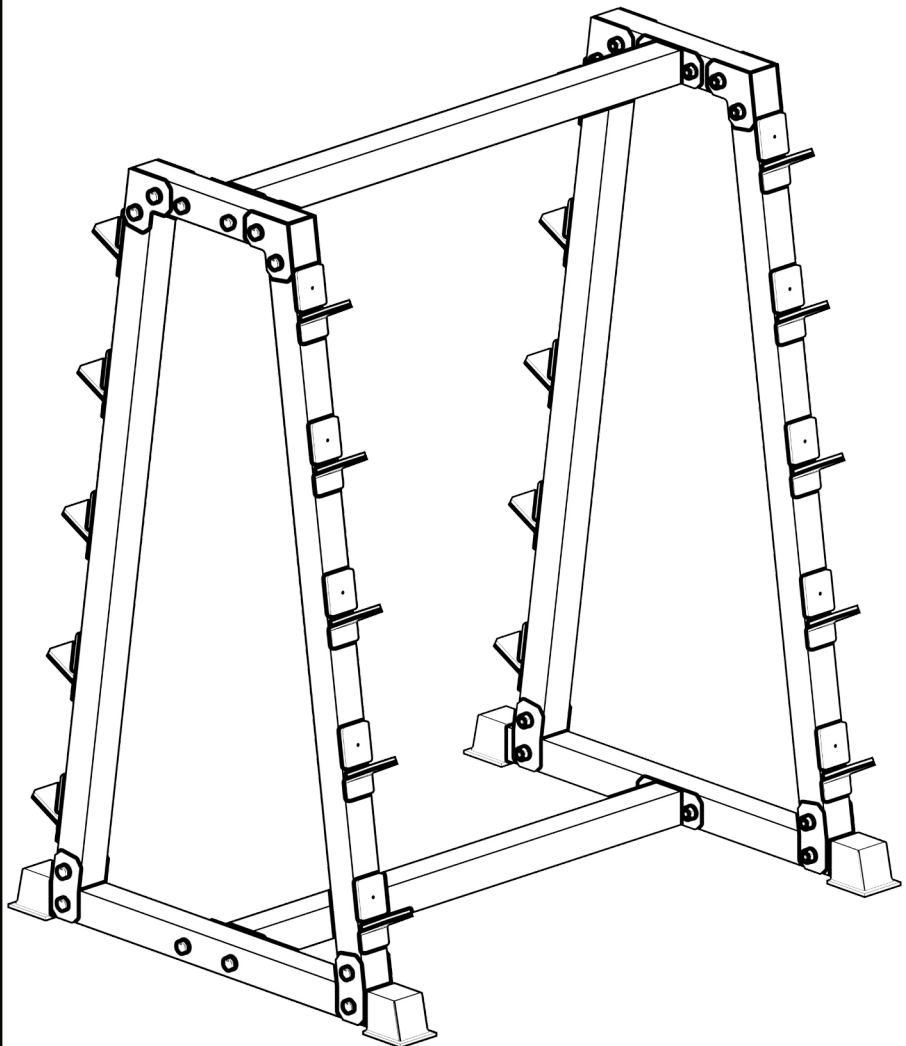


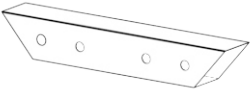
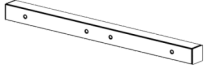




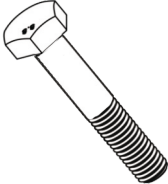
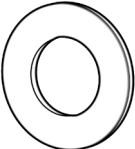

 **SYNERGEE<sup>®</sup>**

# FIXED BAR RACK



# PARTS LIST

IF ANY PIECES ARE MISSING, PLEASE CONTACT US IMMEDIATELY:  
HELLO@SYNERGEEFITNESS.COM OR 1.855.217.7136

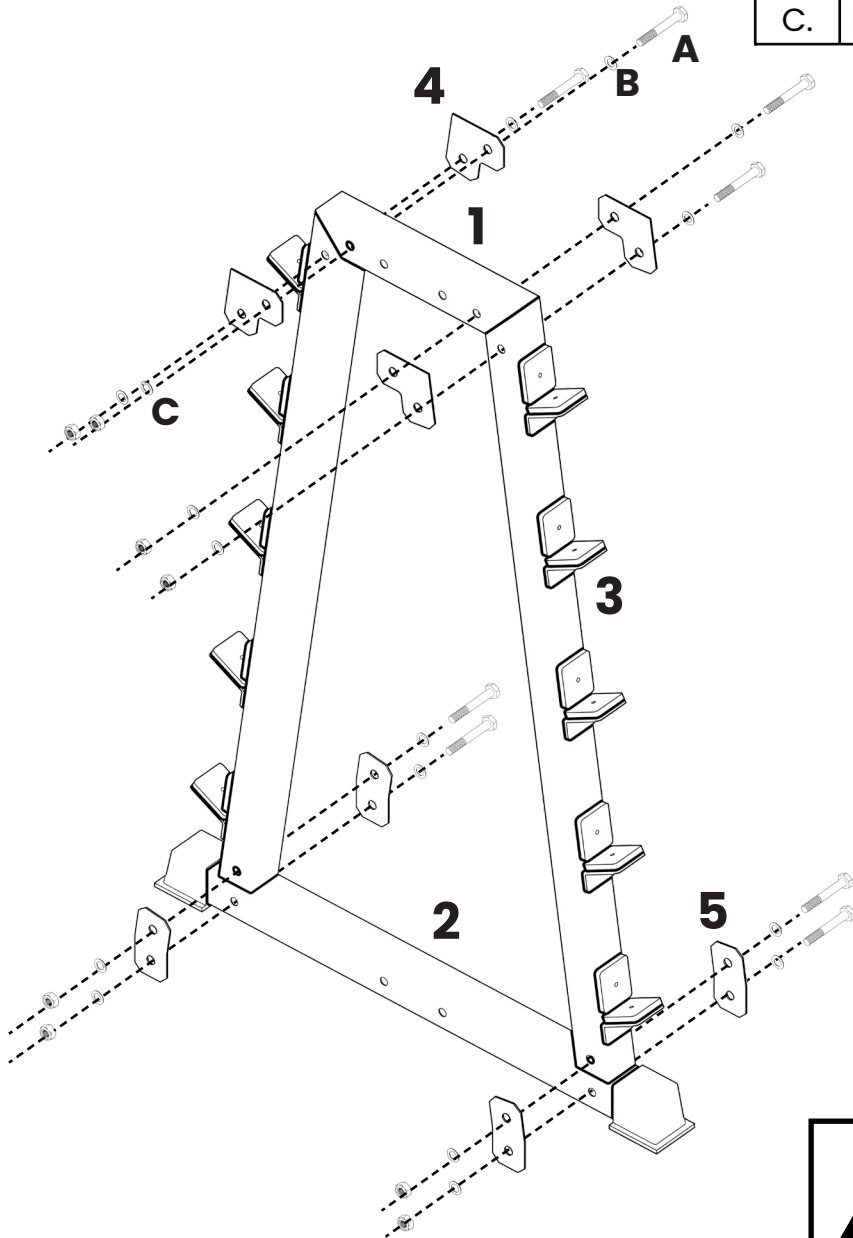
<p><b>1.</b> QTY x2</p>  <p><b>UPPER CONNECT FRAME</b></p>	<p><b>2.</b> QTY x2</p>  <p><b>LOWER CONNECT FRAME</b></p>	<p><b>3.</b> QTY x4</p>  <p><b>UPRIGHT</b></p>	<p><b>4.</b> QTY x8</p>  <p><b>ANGLED SUPPORT BRACKET</b></p>	<p><b>5.</b> QTY x8</p>  <p><b>STRAIGHT SUPPORT BRACKET</b></p>
<p><b>6.</b> QTY x2</p>  <p><b>HORIZONTAL FRAME</b></p>	<p><b>7.</b> QTY x24</p>  <p><b>M10X70 PARTIALLY THREADED BOLT</b></p>	<p><b>8.</b> QTY x48</p>  <p><b>M10 WASHER</b></p>	<p><b>9.</b> QTY x24</p>  <p><b>M10 NUT</b></p>	

# ASSEMBLY

## STEP: 1

### STEP PART GUIDE

#	PART NAME	QTY
1.	Upper Connect Frame	1
2.	Lower Connect Frame	1
3.	Uprights	2
4.	Angled Support Plate	4
5.	Straight Support Plate	4
A.	M10x75 Bolts	8
B.	M10 Washers	16
C.	M10 Nuts	8





**ATTENTION**  
REPEAT THIS STEP  
TWICE

# ASSEMBLY

## STEP: 2

### STEP PART GUIDE

#	PART NAME	QTY
6.	Horizontal Frame	2
A.	M10x75 Bolts	8
B.	M10 Washers	16
C.	M10 Nuts	8

